

# Fixed Coaxial Attenuators



Model 1  
Model 2

dc to 12.4 GHz  
dc to 18.0 GHz  
5 Watts

## Type N Connectors



### Features

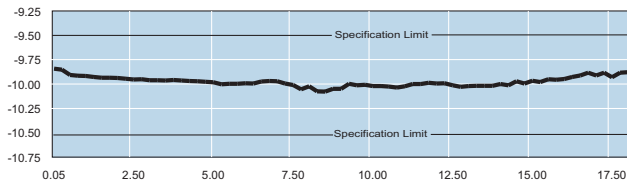
- /// Rugged injection molded connectors.
- /// Designed to meet environmental requirements of MIL-A-3933.

### Specifications

**NOMINAL IMPEDANCE:** 50 Ω

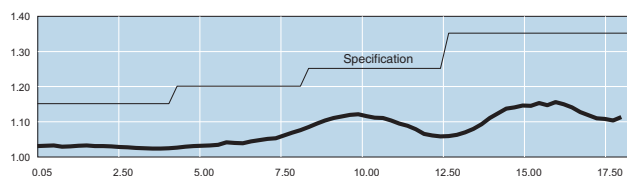
**FREQUENCY RANGE:** Model 1: dc to 12.4 GHz  
Model 2: dc to 18.0 GHz

MAXIMUM DEVIATION OVER FREQUENCY:		
Nominal ATTN (dB)	1	2
1-9	± 0.30	± 0.30
10, 20	± 0.30	± 0.50
30, 40	± 0.75	± 1.00
50	± 0.75	± 1.25
60	± 1.00	± 1.50



Typical Attenuation Performance of Model 2-10

MAXIMUM SWR:		
Frequency (GHz)	1	2
dc - 4	1.15	1.15
4 - 8	1.20	1.20
8 - 12.4	1.25	1.25
12.4 - 18	- - -	1.35



Typical SWR of Model 2-10

**POWER RATING:** 5 watts **average** to 25°C ambient temperature, derated linearly to 80% @ 45°C, 60% @ 65°C, 40% @ 85°C, 20% @ 105°C, 0 Watts @ 125°C. Note: dB values 1, 2 and 3 can handle 10 watts. 1 kilowatt **peak** (5 μsec pulse width; 0.25% duty cycle).

**POWER COEFFICIENT:** <0.005 dB/dB/Watt

**TEMPERATURE COEFFICIENT:** < 0.0004 dB/dB/°C

**TEMPERATURE RANGE:** -55°C to +125°C

**TEST DATA:** Insertion Loss and SWR Testing performed across frequency range. Test data available at additional cost.

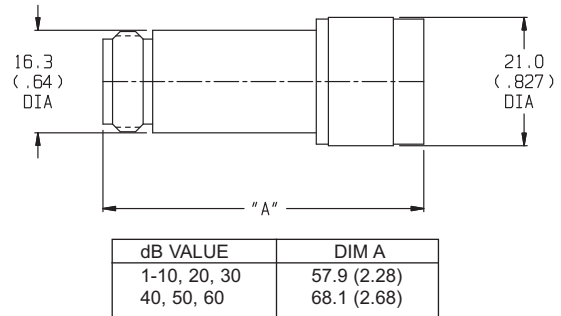
**CONNECTORS:** Precision Type N connectors per MIL-STD-348 interface dimensions - mate nondestructively with MIL-C-39012 connectors.

**CONSTRUCTION:** Stainless steel body and connectors; gold plated beryllium copper contacts.

**WEIGHT:**

dB VALUE	WEIGHT (Net)
1 - 10, 20, 30	70 g (2.6 oz)
40, 50, 60	100 g (3.6 oz)

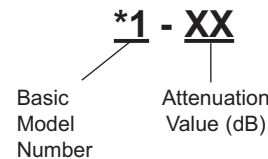
**PHYSICAL DIMENSIONS:**



NOTE: All dimensions are given in mm (inches) and are maximum, unless otherwise specified.

**MODEL NUMBER DESCRIPTION:**

Example:



\*Add Prefix M for double male or F for double female connectors.

**ATTENUATOR SET (AS-6):** Model 2 is also available in a Attenuator Set which includes four different attenuators (3, 6, 10, 20 dB). Refer to Attenuator Sets data sheet for more information.