

# Fixed Coaxial Attenuators



## Models 3330A & 3331A General Purpose Attenuators

dc to 18.0 GHz  
2 Watts

Low Cost Subminiature



### Features

- /// **Low Cost** - These general purpose attenuators offer subminiature size, broadband frequency response, and attenuation values from 1 to 30 dB at low, competitive prices.
- /// **Two Configurations** - Round body Model 3330A and a hex body Model 3331A.
- /// **Ideal for Bulk Quantity Requirements.**

### Specifications

**NOMINAL IMPEDANCE:** 50 Ω

**FREQUENCY RANGE:** dc to 18.0 GHz

MAXIMUM DEVIATION OVER FREQUENCY:	
Nominal ATTN (dB)	Deviation (dB)
0-6	± 0.30
7-10, 20	± 0.50
30	± 0.75

MAXIMUM SWR:	
Frequency (GHz)	SWR
dc - 4	1.15
4 - 12.4	1.30
12.4 - 18.0	1.40

**POWER RATING:** 2 watts **average** to 25°C ambient temperature, derated linearly to 0.5 watts @ 125°C. 250 watts **peak** (5 μsec pulse width; 0.4% duty cycle).

**TEMPERATURE RANGE:** -55°C to +125°C.

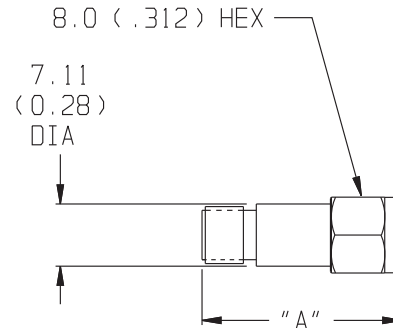
**CONNECTORS:** SMA connectors per MIL-STD-348 interface dimensions mate nondestructively with MIL-C-39012 connectors.

**CONSTRUCTION:** Passivated stainless steel body and connectors; gold plated beryllium copper contacts.

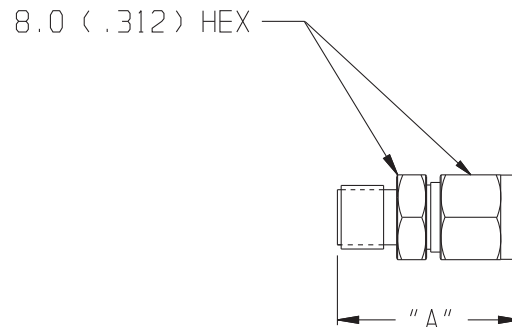
**WEIGHT:** 5.6 g (0.2 oz) maximum (Both Models)

**PHYSICAL DIMENSIONS:**

**Model 3330A (Round):**



**Model 3331A (Hex):**



dB VALUE	DIM A
1 - 10	21.72 ± 0.51 (0.855 ± 0.020)
20, 30	25.02 ± 0.51 (0.985 ± 0.020)

NOTE: All dimensions are given in mm (inches) and are maximum, unless otherwise specified.

**MODEL NUMBER DESCRIPTION:**

Example:

