

Model 54A Fixed Coaxial Attenuator

dc to 40.0 GHz
2 Watts

Ruggedized 2.92mm Connectors



Features

- /// Designed to meet environmental requirements of MIL-A-3933.
- /// Ruggedized 2.92mm Connectors.

Specifications

NOMINAL IMPEDANCE: 50 Ω
FREQUENCY RANGE: dc to 40.0 GHz

MAXIMUM DEVIATION OVER FREQUENCY:		
Nominal ATTN (dB)	Deviation (dB)	
	dc-26.5	26.5-40
3, 6	± 0.50	± 1.00
10, 20	± 1.00	± 1.00
30	± 2.00	± 2.00

MAXIMUM SWR:	
Frequency (GHz)	SWR
dc - 26.5	1.25
26.5 - 40	1.45

POWER RATING: 2 watts **average** to 25 °C ambient temperature, derated linearly to 0.1 watt at 85 °C. 200 watts **peak** (5 μsec pulse width; 0.5 % duty cycle).

POWER COEFFICIENT: < 0.01 dB/dB/watts

TEMPERATURE COEFFICIENT: < 0.001 dB/dB/°C

TEMPERATURE RANGE: -55 °C to +100 °C

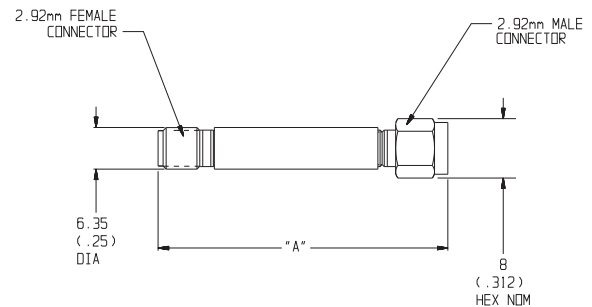
TEST DATA: Insertion Loss and SWR Testing performed across frequency range. Test data available at additional cost.

CONNECTORS: 2.92mm connectors - mate nondestructively with SMA connectors per MIL-C-39012, 3.5mm, SMK, and other 2.92mm connectors.

CONSTRUCTION: Stainless steel body and connectors; gold plated beryllium copper contacts.

WEIGHT: 13 g (0.46 oz.) maximum

PHYSICAL DIMENSIONS:

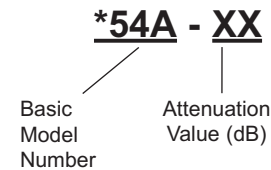


Model	DIM A
54A	39.9 (1.57)
F54A	37.9 (1.49)
M54A	42.0 (1.64)

NOTE: All dimensions are given in mm (inches) and are maximum, unless otherwise specified.

MODEL NUMBER DESCRIPTION:

Example:



* Add Prefix M for double male and F for double female connectors.

Fixed Coaxial Attenuators



Model 84 Fixed Coaxial Attenuator

dc to 40.0 GHz
2 Watts

2.4mm Connectors



Features

- Designed to meet environmental requirements of MIL-A-3933.
- Ruggedized 2.4mm Connectors.

Specifications

NOMINAL IMPEDANCE: 50 Ω
FREQUENCY RANGE: dc to 40.0 GHz

MAXIMUM DEVIATION OVER FREQUENCY:			
Nominal ATTN (dB)	Deviation (dB)		
	dc-18.0	18-26.5	26.5-40
1 - 3	± 0.60	± 0.70	± 1.10
4 - 6	± 0.60	± 0.70	± 1.00
7 - 10	± 0.60	± 0.80	± 1.00
20	± 0.70	± 1.00	± 1.00
30	± 1.00	± 1.40	± 1.40

MAXIMUM SWR:	
Frequency (GHz)	SWR
dc - 26.5	1.35
26.5 - 40	1.50

POWER RATING: 2 watts **average** to 25 °C ambient temperature, derated linearly to 0.1 watt at 125 °C. 200 watts **peak** (5 μsec pulse width; 0.5 % duty cycle).

POWER COEFFICIENT: < 0.01 dB/dB/watts

TEMPERATURE COEFFICIENT: < 0.001 dB/dB/°C

TEMPERATURE RANGE: -55°C to +125°C

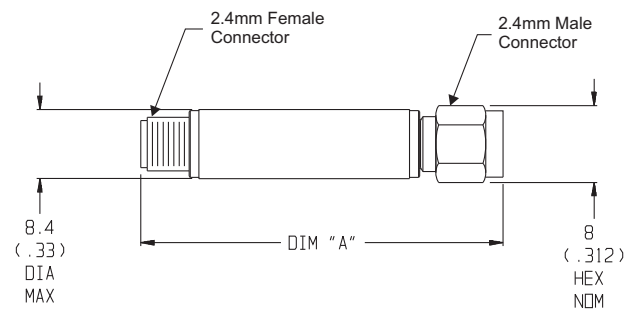
TEST DATA: Insertion Loss and SWR Testing performed across frequency range. Test data available at additional cost.

CONNECTORS: 2.4mm connectors - mate nondestructively with other 2.4mm connectors.

CONSTRUCTION: Stainless steel body; gold plated beryllium copper contacts and brass connectors.

WEIGHT: 13 g (0.46 oz.) maximum

PHYSICAL DIMENSIONS:



Model	DIM A
84	44.4 (1.75)
F84	40.1 (1.58)
M84	48.5 (1.91)

NOTE: All dimensions are given in mm (inches) and are maximum, unless otherwise specified.

MODEL NUMBER DESCRIPTION:

Example:

