

Model 69 Medium Power Fixed Coaxial Attenuator

dc to 18.0 GHz
5 Watts

Bi-directional Design



Features

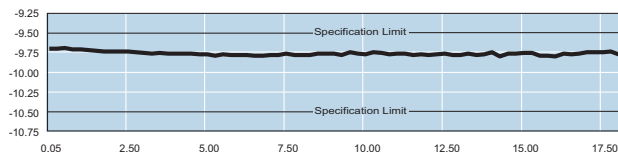
- /// **Compact Construction** - Lowest size/power ratio.
- /// **Precision Injection Molded Connectors.**
- /// **Designed to meet environmental requirements of MIL-A-3933.**
- /// **Flat Response.**

Specifications

NOMINAL IMPEDANCE: 50 Ω

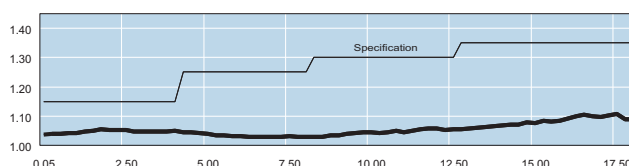
FREQUENCY RANGE: dc to 18.0 GHz

MAXIMUM DEVIATION OVER FREQUENCY:	
Nominal ATTN (dB)	Deviation (dB)
1 - 6	± 0.30
7 - 10, 20, 30	± 0.50



Typical Attenuation Accuracy of a 69-10

MAXIMUM SWR:	
Frequency (GHz)	SWR
dc - 4	1.15
4 - 8	1.25
8 - 12.4	1.30
12.4 - 18	1.35



POWER RATING (mounted horizontally): 5 watts average (bi-directional) to 25°C ambient temperature, derated linearly to 0.5 Watt @ 125°C. 500 watts peak (5 μsec pulse width; 0.5% duty cycle).

POWER COEFFICIENT: <0.003 dB/dB/watt

TEMPERATURE COEFFICIENT: <0.0004 dB/dB/°C

TEMPERATURE RANGE: -55 °C to 125 °C

TEST DATA: Insertion Loss and SWR Testing performed across frequency range. Test data available at additional cost.

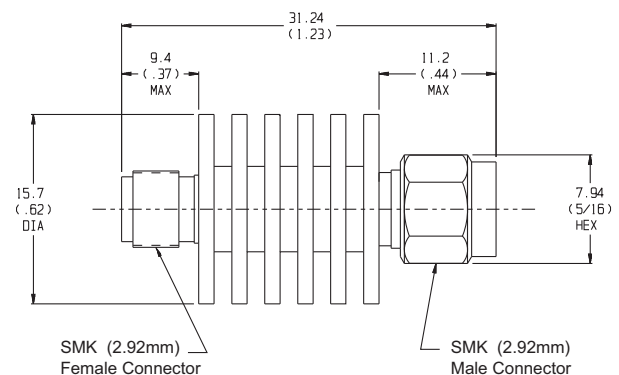
CONNECTORS: 2.92mm (Male/Female) connectors per MIL-STD-348 interface dimensions - mate nondestructively with SMK, 3.5mm, 2.92mm and SMA connectors per MIL-C-39012 .

Connector Options	Type/Description
1	2.92mm, Female
2	2.92mm, Male

CONSTRUCTION: Black, finned aluminum body, gold plated beryllium copper contacts.

WEIGHT: Net 10 g (0.35 oz) maximum

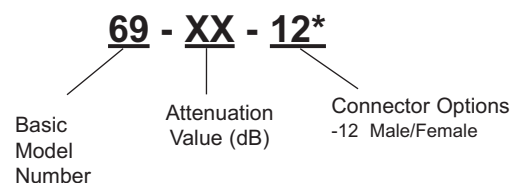
PHYSICAL DIMENSIONS:



NOTE: All dimensions are given in mm (inches) and are maximum, unless otherwise specified.

MODEL NUMBER DESCRIPTION:

Example:



*Unit is bi-directional and full power may be applied to either connector.