

## Model 74 Medium Power Fixed Coaxial Attenuator

dc to 26.5 GHz  
25 Watts

### 3.5mm Connectors



### Features

- /// Compact Construction - Lowest size/power ratio.
- /// Precision injection molded connector dielectric.
- /// Designed to meet environmental requirements of MIL-A-3933.
- /// Low SWR Design.

### Specifications

**NOMINAL IMPEDANCE:** 50 Ω

**FREQUENCY RANGE:** dc to 26.5 GHz

MAXIMUM DEVIATION OVER FREQUENCY:	
Nominal ATTN (dB)	Deviation (dB)
3	± 0.70
6, 10	± 1.00
20, 30	± 1.50

MAXIMUM SWR:	
Frequency (GHz)	SWR
dc - 18	1.30
18 - 26.5	1.35

**POWER RATING:** 25 watts **average (unidirectional)** to 25°C ambient temperature, derated linearly to 2.5 Watt @ 125°C. 500 watts **peak** (5 μsec pulse width; 2.5% duty cycle). Maximum power rating into output is 10% of the average power rating.

**POWER COEFFICIENT:** <0.0015 dB/dB/watt

**TEMPERATURE COEFFICIENT:** <0.0004 dB/dB/°C

**TEMPERATURE RANGE:** -55°C to 125°C

**TEST DATA SUPPLIED:** Sweep SWR/Attenuation data/plots performed across 0.1-26.5 GHz frequency range.

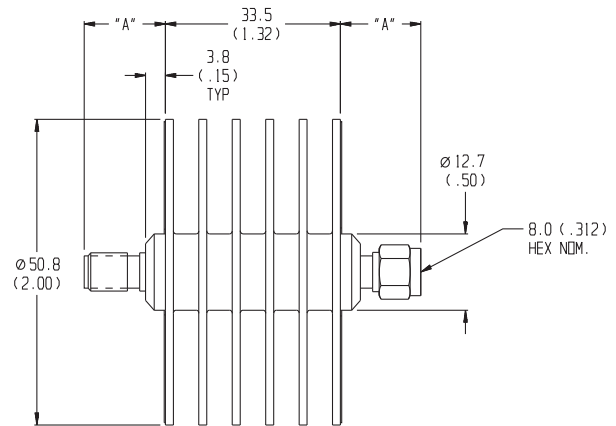
**CONNECTORS:** 3.5mm (Male/Female) connectors - mate nondestructively with SMA per MIL-C-39012, 2.92mm and other 3.5mm connectors.

Connector Options	Type/Description
1	3.5mm, Female
2	3.5mm, Male

**CONSTRUCTION:** Black, finned aluminum body, gold plated beryllium copper contacts.

**WEIGHT:** 100 g (3.5 oz.) maximum

### PHYSICAL DIMENSIONS:



Connector	DIM A
3.5mm Male	16.0 (0.63)
3.5mm Female	15.0 (0.59)

NOTE: All dimensions are given in mm (inches) and are maximum, unless otherwise specified.

### MODEL NUMBER DESCRIPTION:

Example:

