

## Model 75A Medium Power Fixed Coaxial Attenuator

dc to 40.0 GHz  
5 Watts

### Bi-directional Design



### Features

- /// **Compact Construction** - Lowest size/power ratio.
- /// **Precision injection molded connector dielectric.**
- /// **Designed to meet environmental requirements of MIL-A-3933.**
- /// **Flat Response.**

### Specifications

**NOMINAL IMPEDANCE:** 50 Ω

**FREQUENCY RANGE:** dc to 40.0 GHz

#### MAXIMUM DEVIATION OVER FREQUENCY:

Nominal ATTN (dB)	Deviation (dB)	
	dc-18 GHz	18-40 GHz
3	± 0.50	± 1.00
6, 10, 20, 30	± 0.80	± 1.50

#### MAXIMUM SWR:

Frequency (GHz)	SWR
dc - 18	1.20
18 - 40	1.35

**POWER RATING (mounted horizontally):** 5 watts **average (bi-directional)** to 25°C ambient temperature, derated linearly to 0.5 Watt @ 125°C. 200 watts **peak** (5 μsec pulse width; 1.25% duty cycle).

**POWER COEFFICIENT:** <0.005 dB/dB/watt

**TEMPERATURE COEFFICIENT:** <0.0004 dB/dB/°C

**TEMPERATURE RANGE:** -55 °C to 125 °C

**TEST DATA SUPPLIED:** Sweep SWR/Attenuation data/plots performed across 0.1-40 GHz frequency range.

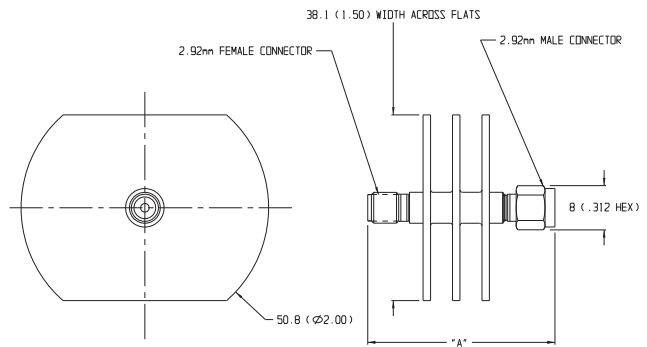
**CONNECTORS:** 2.92mm (Male/Female) connectors - mate nondestructively with SMA per MIL-C-39012, 3.5mm and other 2.92mm connectors.

Connector Options	Type/Description
1	2.92mm, Female
2	2.92mm, Male

**CONSTRUCTION:** Black, finned aluminum body, gold plated beryllium copper contacts.

**WEIGHT:** 200 g (7.0 oz.) maximum

**PHYSICAL DIMENSIONS:**

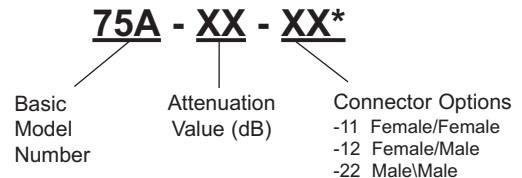


Dash No.	Connector Type	DIM A
11	2.92mm Female/Female	39.9 (1.56)
12	2.92mm Male/Female	44.1 (1.74)
22	2.92mm Male/Male	48.8 (1.92)

NOTE: All dimensions are given in mm (inches) and are nominal, unless otherwise specified.

#### MODEL NUMBER DESCRIPTION:

Example:



\*Unit is bi-directional and full power may be applied to either connector.